

BUILD YOUR OWN LEROY C.

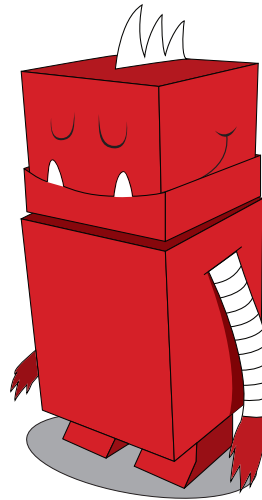
A CHOICE KUTS PAPERKRAFT

MATERIALS NEEDED:

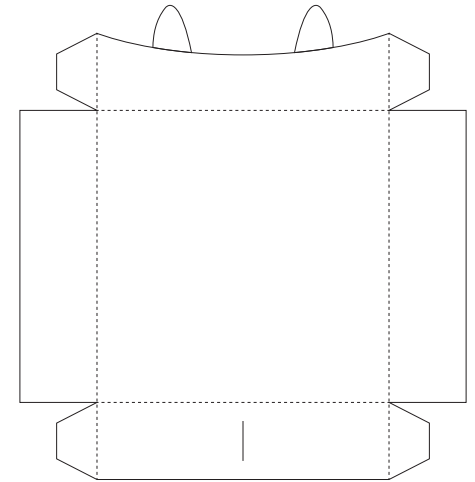
- scissors or knife
- glue or tape
- ruler

LEGEND:

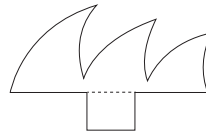
- cut _____
- fold



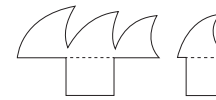
Leroy C.



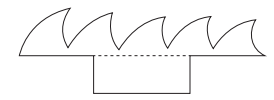
Underbite



Attach to top of head



Attach to back of head
and underbite

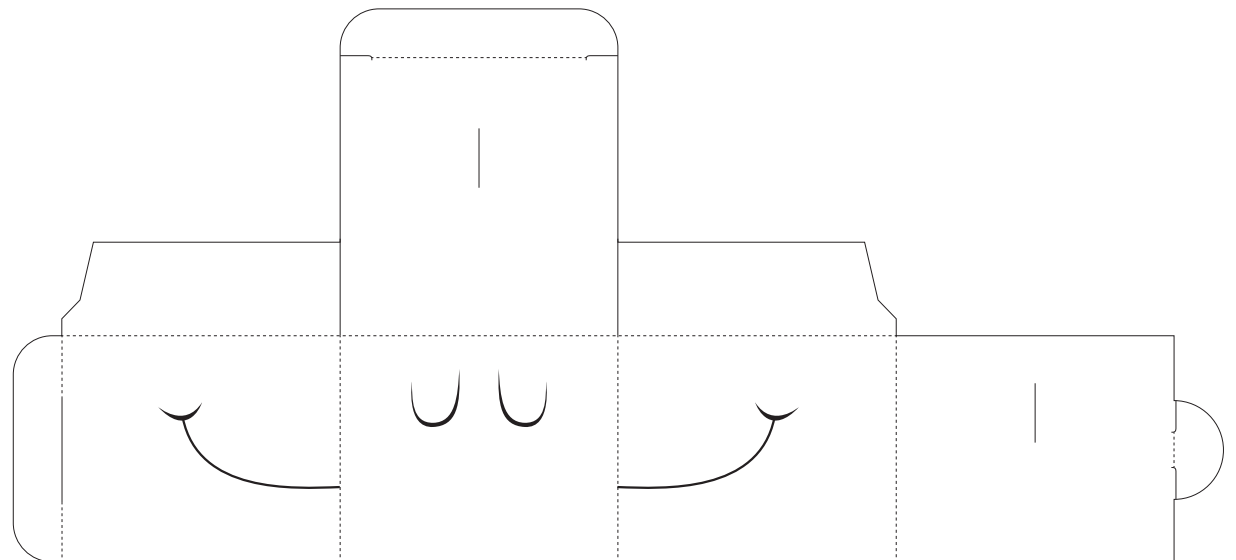


Attach to back of body

INSTRUCTIONS

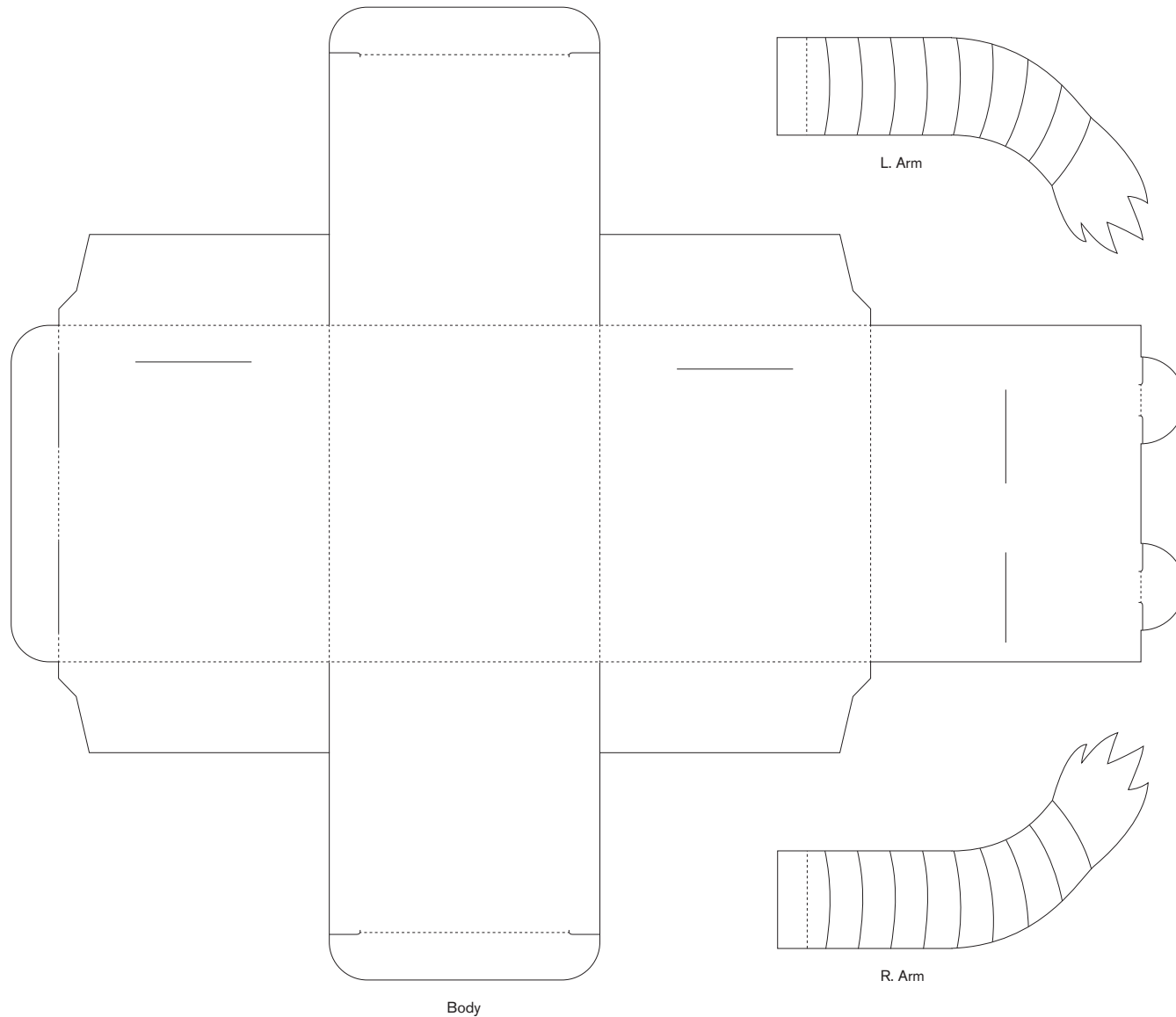
1. Cut out pieces by cutting along all solid lines.
2. Score and fold along dashed lines.
3. Glue or tape tabs where necessary.
4. Have fun with your new Leroy C. papercraft.

***TIP:** After inserting tabs into the body, tape or glue them down for a secure hold. Head can be secured to the body with either tape/glue or a brass fastener to allow the head to rotate.



BUILD YOUR OWN
LEROY C.

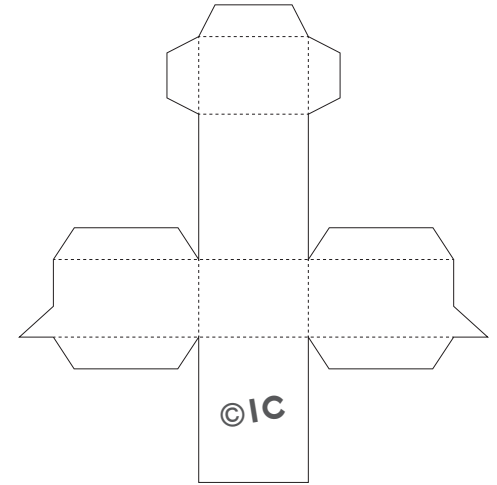
A CHOICE KUTS PAPERKRAFT



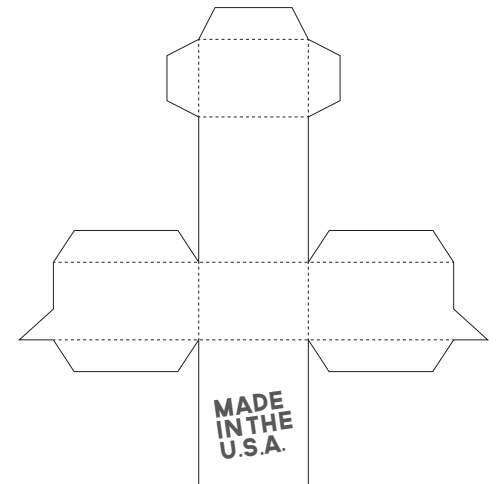
Tail

L. Arm

R. Arm



L. Leg



R. Leg

